



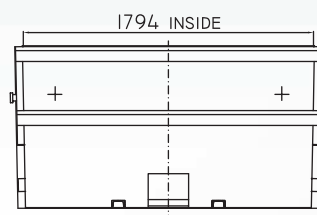
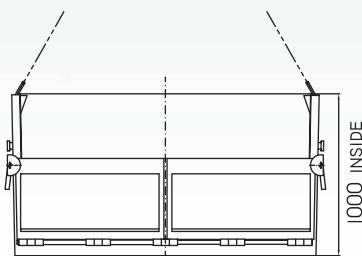
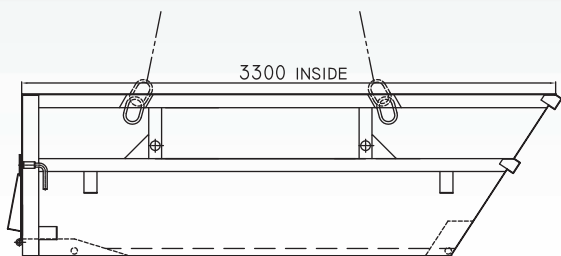
Crane Containers

ISO 9001:2008

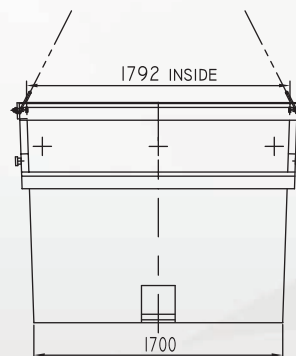
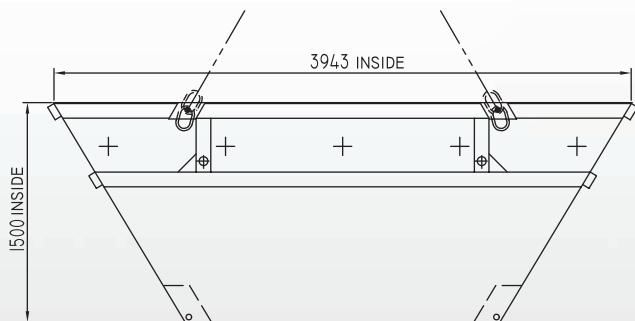
Area of use: Adapted and intended for the lifting by crane.

Special options: • different dimensions, • special versions, • special painting.

ML5LEM SWL3-5T



ML8L SWL3-5T



Przedsiębiorstwo Produkcyjno Handlowe AMG Sp. z o.o.
ul. Słupska 18; 84-300 Łębork; Poland
Tel. +48 59 862 32 77, Tel. +48 59 862 87 80, Fax. +48 59 862 23 15
e-mail: office@amg.pl; web: www.amg.pl